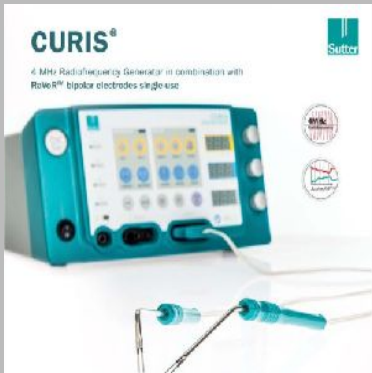


We Biomed Technologies are a leading and distinguished Exporter, Supplier, Retailer, Trader, Importer, Manufacturer and Distributor of quality Arthroscopic Instruments, Audiology Equipments, Automotive Tail Lamps, Binocular and Biopsy Instruments.



Rf Generator



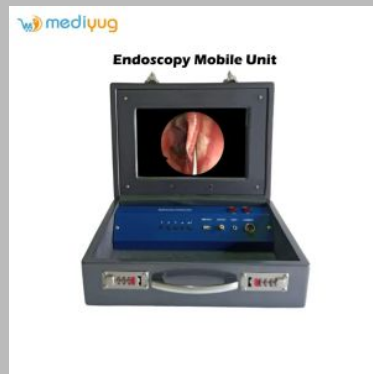
Arthroscopy Shaver System



Crisp i LED Operating Microscope



Lumin Pro Surgical Operating Microscope



Portable Mobile Endoscopy Unit



Cresta B Electrosurgical Unit

About Biomed Technologies

Biomed Technologies is a premier Kerala-based company involved in the business of delivering innovative and unique ENT products. We offer high-quality medical equipment for ENT, Orthopedic, and Laparoscopy surgeries. Our products are reliable increase patient care and improve surgical outcomes. Our products are supplied to leading hospitals, clinics, and medical practitioners.

Our focus is to improve patient outcomes and increase the practice of ENT by offering quality medical equipment and excellent solutions. Our experts ensure complete commitment by delivering products, customer service, and support that increase ENT healthcare in Kerala.

Product Assurance

Established in 2021, we supply supreme quality products like Ceiling-mounted LED OT lights, Surgical equipment, surgical headlights, etc. Apart from that, we offer ENT microdebrider machines, patient chairs, blood pressure cuffs, and an ENT OPD treatment unit. We offer a wide array of surgical instruments and tools for ENT procedures and other devices.

We offer ENT equipment that solves the problem of hearing loss and patient preferences. Our products are manufactured as per industry standards and regulatory requirements. Our products are tested and validated to ensure compliance with industry standards and best practices.

Our USP

We offer customized and seamless technical support that helps in the utilization of products. We are continuously improving the evolving needs of the healthcare industry. Our dedicated team provides superior products and exceptional services.

Factsheet

Basic Information

Nature of Business : Exporter / Supplier / Retailer / Trader / Importer / Manufacturer / Distributor

Contact Person : Mr. Sinajudheen P

Registered Address : 19/110, Gulf Road, Pookkad, Tiruvangoor, Kozhikode, Kerala

Total Number of Employees : Below 20

Year of Establishment : 2021

Legal Status of Firm : Individual (Sole proprietorship)

Endoscopy Equipment & Instruments



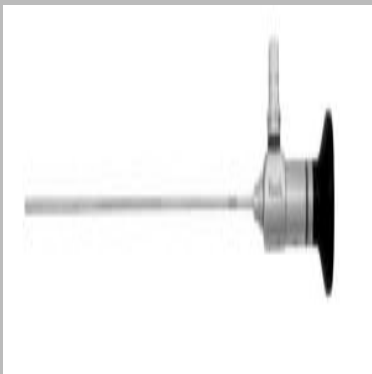
Sinoscope 4mm 0
Degree HD



Laryngoscope 4 mm 70



Sinoscope 4 mm 30
Degree



Arthroscopes

Electrosurgical Units



CRESTA I
Electrosurgical Unit



Disposable Cautery
Pencils



CRESTA W
Electrosurgical Unit



Cresta B Electrosurgical
Unit

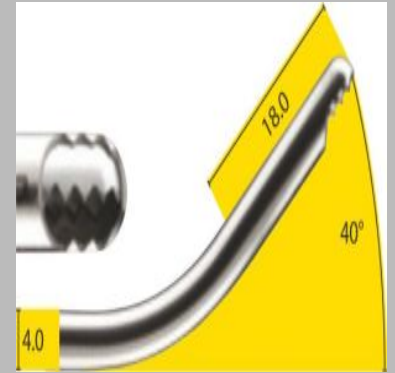
ENT Instruments



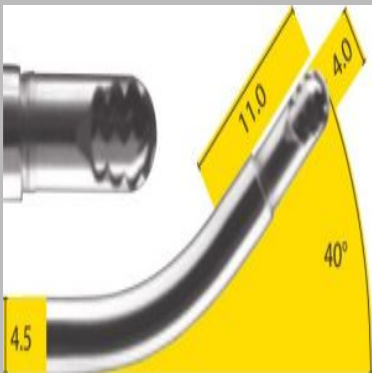
ENT Microdebrider System



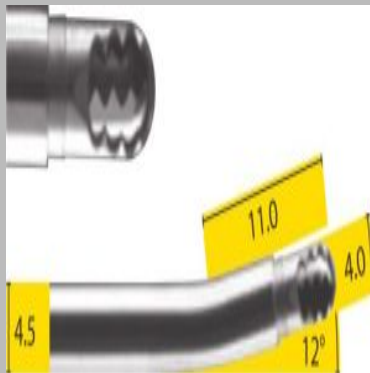
4 mm Tricut Blade - Microdebrider Blade



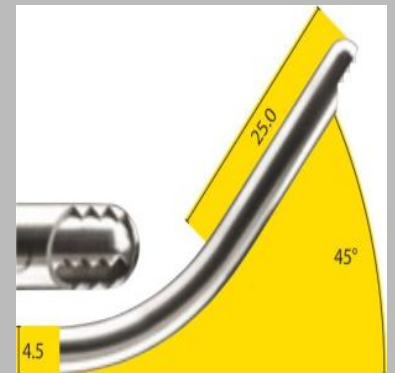
4 mm RADenoid® Blade - Microdebrider Blade



4 mm RADenoid® 40 Blade - Microdebrider Blade



4 mm RADenoid® 12 Blade - Microdebrider Blade



4mm radenoid adult blade microdebrider blade

ENT Equipment



Temporal Bone
Workstation



ENT Patient Chair



Ent Opd Treatment Unit

Laparoscopic Instruments



Trocars



Laparoscopic Camera System



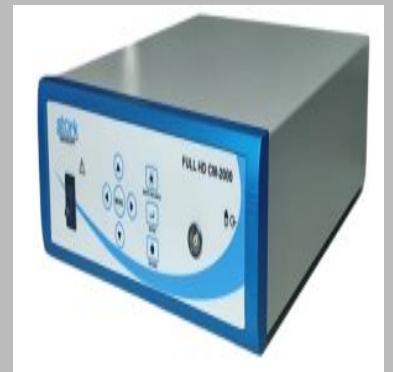
laparoscopic trocar



Laparoscopic Storz Type Trocar



Laparoscopic Monopolar Maryland Dissector



Endoscopy Laparoscopic Camera

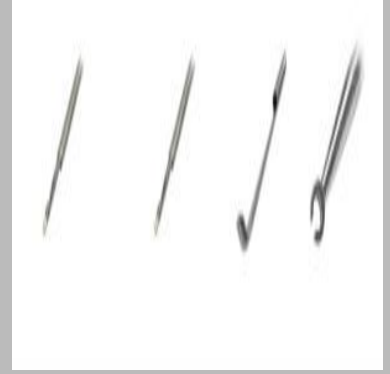
Medical Instruments



Surgical Instruments



Needle Holders



Knot Pusher

Other Products/Services



Metal Sleeve Reducer



Tromatic Graspers



Gall Bladder Extractor



Stone Remover



Suture Passers

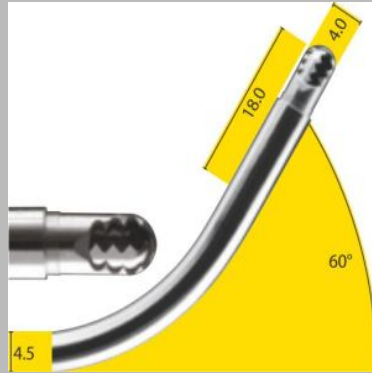


? BiClamp Graspers

Other Products/Services



C-Mount





4 mm RAD® 60 Blade -
Microdebrider Blade


Contact Us

Biomed Technologies

Contact Person : Mr. Sinajudheen P

 19/110, Gulf Road, Pookkad, Tiruvangoor

 biomedtechnologiesindia@gmail.com

 <https://www.exportersindia.com/biomed-technologies>