



# Design Cad Center And Design Service Provider

Design Cad Center And Design Service Provider is known as top Manufacturer, Exporter, Supplier, Trader, Service Provider, Retailer and Distributor of best Cabinets & Enclosures, CAD CAM service, CAD CAM Services, Cad Service and Cancer, TB & Tumour Drugs.



FDM 3D Printing Service



Scalable Model Making Service



CI Castings



gym equipment



abs boxes



Reverse Engineering Services



## About Design Cad Center And Design Service Provider

Design cad centre and design service provider is the leading service provider of design services. We offer you good quality design services at the highest genuine prices. Our group has been delivering the best CAD Design Services for years for various purposes. We have a huge experience of over five years of all types of CAD and other designing services.

We are a famous name in the list of CAD designing and analysis services. At us, you get to select from a wide variety of different services. We deliver our valuable services that upsurge the durability and strength of your requirements. Being remarkably experienced we are cognizant of all your needs.

### Range of services

We follow the definitive work approach while delivering our services. We supply copious ranges of tools which are useful for many industries as well. Our service ranges comprise design services, Drafting Services, CAD Design Services, Scanning Services, and Analysis Services etc.

### Why Choose Us?

We are a name reliable for delivering the finest services

Trade with us so you get your services delivered on time

Using high-class tools for the development of the programs

Our services are highly demanded by multiple organizations

We are cost-effective as per your budget

Transparent pricing policy



## Factsheet

### Basic Information

Nature of Business : Manufacturer / Exporter / Supplier / Trader / Service Provider / Retailer / Distributor

---

Contact Person : Mr. Harshad Vaghela

---

Registered Address : 15, Dhanyata Society, Vastrapur Railway Station Road, Ahmedabad, Gujarat

---

Total Number of Employees : Below 20

---

Year of Establishment : 2016

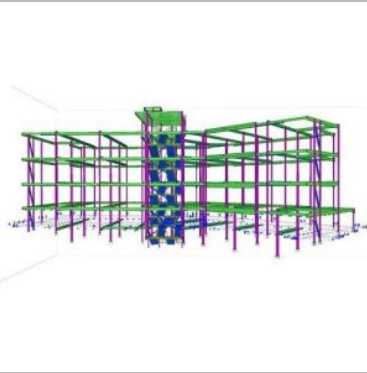
---

Legal Status of Firm : Individual (Sole proprietorship)

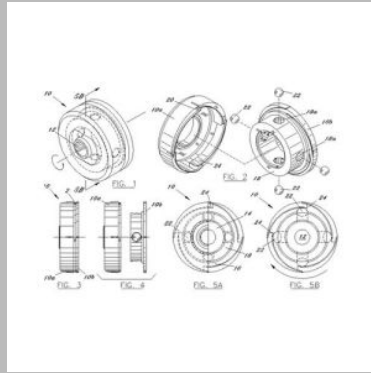
---



## Cad Service



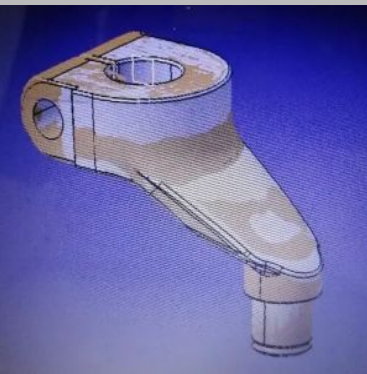
Structural Drafting Service



Mechanical CAD Drafting Service



Engineering Drafting Service



Catia Design Services



CAD Drafting Service



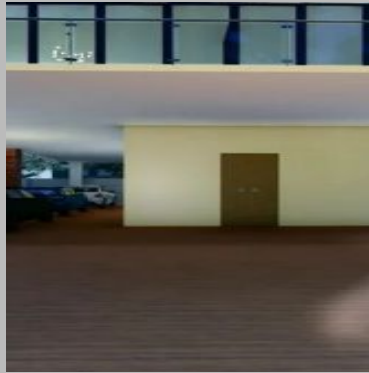
CAD Conversions 3D Modeling Service



## Graphic Design, Multimedia & Animations



Walkthrough Animation Service



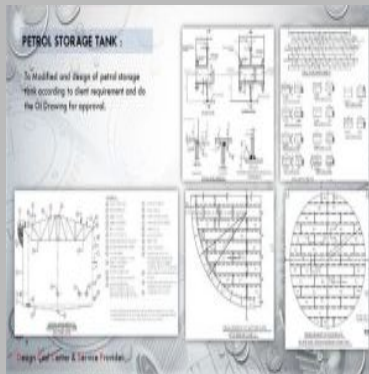
3D Walkthrough Animation Service



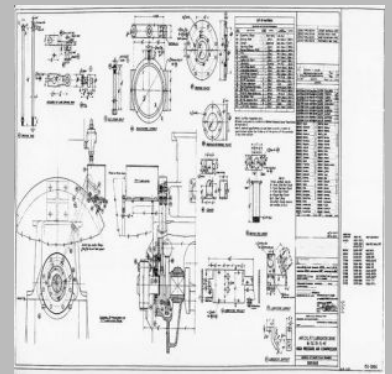
3D Scanning Service



3D Rapid Prototyping Service



2D Drafting Service



2D CAD Design Service



## Designing service



Furniture Designing Service



Product Designing Services

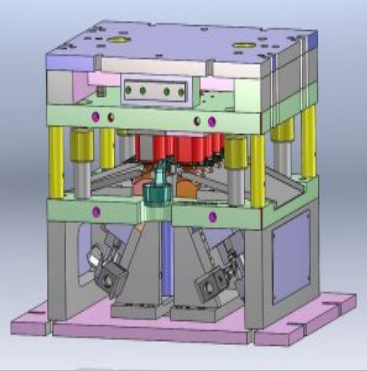


conceptual design





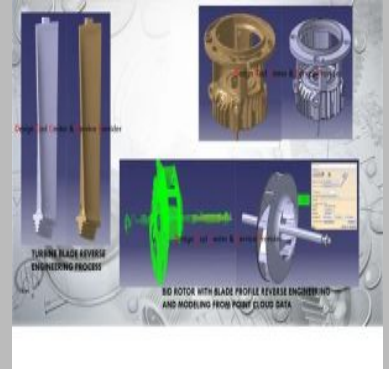
## Product Designing



Tool Design Service



Medical Product Design Service



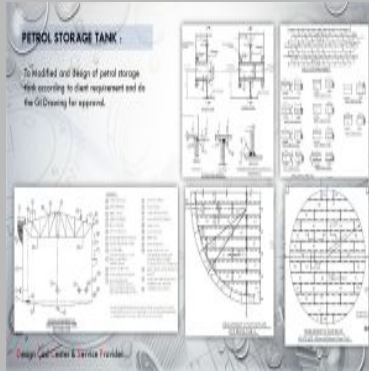
Machinery Design Service



## Corporate Finance & Accounting Services



Reverse Engineering Services



Engineering Drafting Services



conceptual engineering services





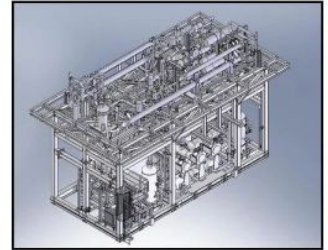
## CAD CAM service



Scalable Model Making Service



CAM Design Service



Autocad Designing Service



## Printing, Binding & Laminating Services



Map 3D Printing Service



plastic component fdm printing service






FDM 3D Printing Service



## Contact Us

# Design Cad Center And Design Service Provider

Contact Person : Mr. Harshad Vaghela

-  15, Dhanyata Society, Vastrapur Railway Station Road
-  harshad.vaghela@hotmail.com
-  <https://www.exportersindia.com/design-cad-center-amp-service-provider>