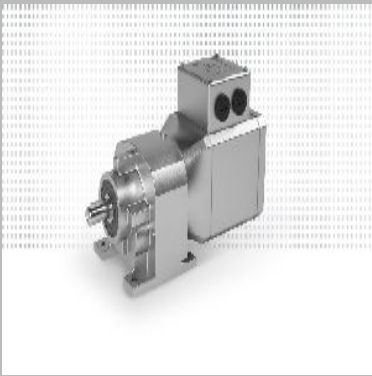


We Element Engineers & Consultants are a leading and distinguished Supplier, Distributor and Service Provider of quality AC Drive Control System, AC Motor, Alarm Systems, Audio Recorders, Mixers & Transmitters and Automobile Gears.



Inline Helical Geared Motor



bevel geared motor



Unicase Parallel helical Gear Motor



Universal SI Worm Geared Motor



Asynchronous Electric Motor



MAXXDRIVE XT Right-Angle Gear Unit

## About Element Engineers & Consultants

**Element Engineers & Consultants** is central India's rising industrial products company, located in **Indore (M.P.)**. Established in **2009**, we established ourselves in the field of **Mechanical Power Transmission** products like Gearboxes, Geared Motors, Couplings, Cardan Shafts, Shrink Disc, Locking Assembly, Pneumatics and Induction Motors. We cater to our customers of all segments from **Indore**. Company is run by experienced professionals having more than **20 years** of experience emphasizing sales, marketing and business development in the Industrial Segment. The Strong sales and marketing skills are to build new business and cultivate existing customer relationships. We want to achieve an unprecedented success in this business arena by offering superb quality to our valued customers. We have the capability to realize customers' wide needs regarding the industrial products. We offer complete satisfaction to customers in terms of high performance during usage of the items, timely delivery and sensible price range. We mainly emphasize the quality of these industrial products because we understand well that only quality can keep us ahead from our competitors in this field.

### Our Vision

To provide best services and quality products at a fair price.

### Our Mission

Our customers satisfaction is our mission. We strive to supply the best available products, solutions, and services to help our customers achieve their goals.

### The History Of Our Business Start A Decade Ago

Our firm has grown substantially since its inception in 2009 with a commitment to provide total customer satisfaction. Over the time along with Mechanical Power Transmission Products we have also added pneumatics and Hygienic fluid handling solutions in our range of products. Over the years, we have been mo

## Factsheet

### Basic Information

Nature of Business : Supplier / Distributor / Service Provider

---

Contact Person : Mr. Amoldeep Singh Mr. Vaibhav

---

Registered Address : 80-Sarv Suvidha Nagar, In-Front of Nagar Nigam Water Tank, Bicholi -  
Hapsi Road, Indore, Madhya Pradesh

---

Total Number of Employees : Below 20

---

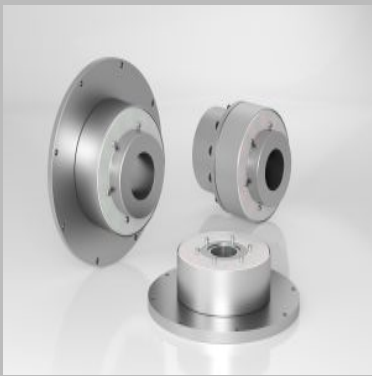
Year of Establishment : 2009

---

Legal Status of Firm : Individual (Sole proprietorship)

---

## Coupling



Torsional Highflex  
Couplings TNR



TNT Safety Coupling



Jaw Flex Couplings



Roller Chain Flexible  
Coupling



Rigid/Muff Coupling



Resilient Coupling

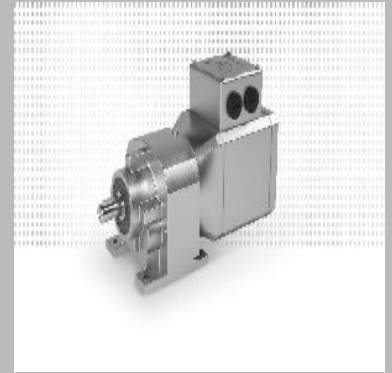
## Geared Motor



Universal SI Worm Geared Motor



Unicast Parallel helical Gear Motor



Inline Helical Geared Motor



bevel geared motor

## Valves & Valve Fittings



Unique SSV Single Seat Valve



Unique Sampling Valve



SMP-BC Double Seat Valve



Flow Control & Throttle Valves

## Electric Motors & Components



three phase induction motors



Three Phase Induction Motors for textile industries



Direct Drive Motors

**Gearbox & Gear Parts**



Slew Planetary Gearbox



Series 2000 Linear and Planetary Gearbox



Plus Series Planetary Gearbox



## Industrial Valves



unique dv-st ultrapure diaphragm valves



Check Valve



Aseptic Mixproof Double Seat Valves

## Safety Lights



Signal Tower Light



Network Signal Tower Light With Voice Annunciator





Signal Beacons

## Contact Us

# Element Engineers & Consultants

Contact Person : Mr. Amoldeep Singh Mr. Vaibhav

 80-Sarv Suvidha Nagar, In-Front of Nagar Nigam Water Tank, Bicholi - Hapsi Road

 [element@elementenc.com](mailto:element@elementenc.com)

 <https://www.exportersindia.com/element-engineers-consultants>